

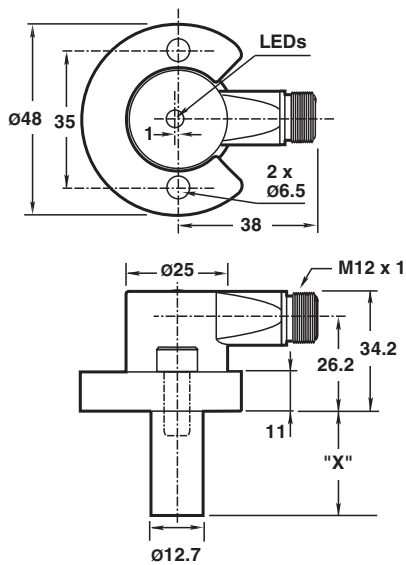
## Inductive sensor NJ2-D-E02-1.250-V1

- 4-wire DC
- Weld Immune
- Sensing range 2 mm
- 3000 psi rating

### Cylinder Position Switch



## Dimensions



## Technical Data

### General specifications

Switching function		Normally open (NO)
Output type		PNP/NPN
Rated operating distance	$s_n$	2 mm
Installation		flush
Output polarity		DC
Assured operating distance	$s_a$	0 ... 1.62 mm
Reduction factor $r_{AI}$		0.4
Reduction factor $r_{304}$		0.85
Output type		4-wire

Release date: 2022-05-19 Date of issue: 2022-05-19 Filename: 904463\_eng.pdf

Refer to "General Notes Relating to Pepperl+Fuchs Product Information".

Pepperl+Fuchs Group  
www.pepperl-fuchs.com

USA: +1 330 486 0001  
fa-info@us.pepperl-fuchs.com

Germany: +49 621 776 1111  
fa-info@de.pepperl-fuchs.com

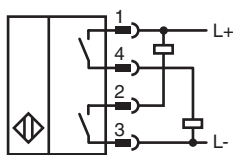
Singapore: +65 6779 9091  
fa-info@sg.pepperl-fuchs.com

PEPPERL+FUCHS

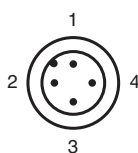
## Technical Data

Nominal ratings		
Operating voltage	$U_B$	10 ... 30 V DC
Switching frequency	f	30 Hz
Hysteresis	H	10 ... 20 typ. 15 %
Reverse polarity protection		yes
Short-circuit protection		yes
Voltage drop	$U_d$	$\leq 2$ V DC
Operating current	$I_L$	$\leq 200$ mA
Off-state current	$I_r$	$\leq 100$ $\mu$ A
No-load supply current	$I_0$	$\leq 35$ mA
Mag. Field strength, AC fields		250 mT
Mag. Field strength, DC fields		100 mT
Limit data		
Operating pressure dynamically		3000 psi
Indicators/operating means		
LED green		Power on
LED yellow		Output status
Standard conformity		
Standards		EN 60947-5-2
Approvals and certificates		
UL approval		cULus Listed, General Purpose
CSA approval		cCSAus Listed, General Purpose
Ambient conditions		
Ambient temperature		-25 ... 70 °C (-13 ... 158 °F)
Mechanical specifications		
Connection type		Connector plug M12 x 1 , 4-pin
Degree of protection		IP67
Material		Housing: zinc Probe: aluminum
Note		X = 1.250 in (31.8 mm)

## Connection



## Connection Assignment



Release date: 2022-05-19 Date of issue: 2022-05-19 Filename: 904463\_eng.pdf

## Connection Assignment

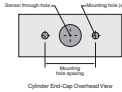
Wire colors in accordance with EN 60947-5-2

1	BN	(brown)
2	WH	(white)
3	BU	(blue)
4	BK	(black)

## Additional Information

**NPT Type Mounting Holes:**

1000 and 3000 psi NPT Types:  
Mounting hole screw thread shall be 1/4" - 20.  
Minimum thread engagement depth is 0.250" (6.35 mm)  
Hole spacing is 35 mm center to center.



**Mounting Screws:**

Standard 1000 and 3000 psi models use two, self-locking 1/4" - 20 socket head cap screws (provided).  
Recommended tightening torque: 150 in lb (16.95 N-m).

**⚠ Important:** When using spacers, make certain to maintain the 0.250" (6.35 mm) minimum mounting screw thread engagement.

## Accessories

	<b>V1-G-2M-PVC</b>	Female cordset single-ended M12 straight A-coded, 4-pin, PVC cable grey
	<b>SPACER 0.160 TO 0.375</b>	: Spacer for cylinder switches <b>X.XXX"</b>
	<b>SPACER 0.380 TO 0.875</b>	: Spacer for cylinder switches <b>X.XXX"</b>

Release date: 2022-05-19 Date of issue: 2022-05-19 Filename: 904463\_eng.pdf